

Application Note

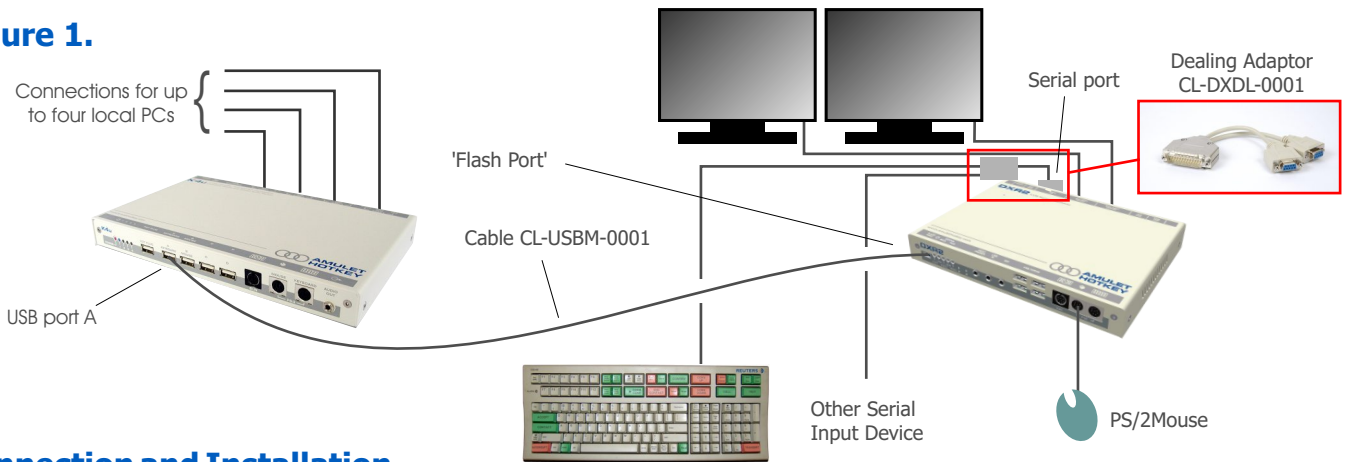
DXR2 / K4u for Dealing 3000™ with Local Workstations

040

Overview

Amulet Hotkey's DXR2 can be cascaded with an Amulet Hotkey K4u to provide the user with access to a remote Dealing 3000 system and up to four local services at the desktop.

Figure 1.



Connection and Installation

- Ensure that the mini USB - B cable (CL-USBM-0001) is plugged in to the Flash Port on the front of the DXR2 and connected to one of the USB ports (A, B, C or D) on the front of the K4u. Do **NOT** connect it via the HOTPLUG port.
- Always use the "Main" connection when working with a single screen Dealing 3000 Keystation.
- A USB mouse may be connected to the K4u or a PS/2 mouse to the DXR2. It is **NOT** possible to use both simultaneously.
- A mouse with 4/5 buttons and a wheel is supported on the local PCs, however, the Dealing 3000 Keystation will recognize and treat it as a simple 3-button mouse with no wheel, i.e. buttons 4, 5 and the wheel will be ignored by the Dealing 3000 Keystation.
- Ensure that the DXR2 DIP switch 8 is switched ON before the DXR2 is powered up or the USB cable is connected.
- To select Dealing mode, press the D3000 key or a Dealing mode change key including (depending on the keyboard layout) Cancel All/Cancel Orders, Mine, Yours, Bid, Offer, I Buy, I Sell, Contact or Accept.
- The DXR2 is compatible with the following devices: DK3000, D3-KP, D3D-KB, AHK3000D and the AK124 with standalone Dealing 3000 configuration.



Mouse Channel Changing

To change up and down the channels in this set-up, hold down the middle button or wheel on the mouse and press the right or left buttons to scroll up and down the channels respectively.

DIP Switch Settings

DXR2	1	When set OFF limits link distance to 200m with USB support. ON= link distance up to 300m but USB is disabled.
	2 - 6	Reserved for future expansion.
	7	Determines the Dealing 3000 keyboard type (Set as appropriate for the keyboard in use).
	8	Selects Dealing or standard mode (must be switched ON).
K4u	A1 - 2	Determines which hotkey combination the user will adopt. If using with an AHK3000D keyboard, they must be set in relation to the configured macros.
	A3	Turns mouse channel changing on or off.
	A7 - 8	Sets the Dealing keyboard country layout.

Simply set the remaining DIP switches in the usual way, as described in your K4u User Manual.

Information in this document is subject to change. No part of this document may be reproduced through any means including (but not limited to) electronic or mechanical, without express written permission from Amulet Hotkey Ltd. Amulet Hotkey Ltd may have patents, patent applications, trademarks or copyrights or other intellectual property rights covering subject matter in this document. Other product names and company names listed within this document may be trademarks of their respective owners. © Amulet Hotkey Ltd. All rights reserved.