

The AHK3000-D Keyboard Manual

Document part number: HB-KB02-0002

Revision: 2, 18-12-06



Caution: To reduce the risk of electric shock, do not remove any circuit board or power supply covers. There are no user serviceable parts inside; refer to qualified personnel.

Warning: To reduce the risk of fire or electric shock, do not expose this appliance to rain and moisture. The appliance should not be exposed to dripping or splashing and no objects filled with liquids should be placed on or near the appliance.

Detailed safety instructions

- 1 Read these instructions
- 2 Keep these instructions
- 3 Take notice of our warnings
- 4 Follow instructions
- 5 Clean only with a dry cloth
- 6 Keep the product away from liquids
- 7 Install in accordance with these instructions
- 8 Do not install near significant sources of heat e.g. radiators, stoves etc.
- 9 Ensure the product is properly grounded
- 10 Only use attachments / accessories specified or approved by **Amulet Hotkey**
- 11 Refer all servicing to qualified personnel

About this manual.

This manual is designed to give you both an overview of the AHK3000-D Keyboard as well as a detailed explanation on how to install, configure and use it. However, there are bound to be questions we haven't answered so don't hesitate to contact technical support at Amulet Hotkey for expert assistance.

You can do this by phone or by email:

UK: +44 (0) 207 407 2522 or
+44 (0) 1626 837 900
US: +1 212 269 9300

European Tech. Support:
eurosupport@amulethotkey.com

US Tech. Support:
ussupport@amulethotkey.com

Asia Tech. Support:
apsupport@amulethotkey.com

Check out the Tech. Support page of our web site for additional contacts:

www.amulethotkey.com

Shipment.

1 Your AHK3000-D and cables were carefully packed prior to despatch to guarantee safe transit. However, we recommend that you thoroughly examine all packaging and contents for signs of physical damage before use.

2 If any damage has occurred, please notify the shipping company and your supplier immediately otherwise claims for damage or replacement may not be granted.

3 Retain the original packaging for use in the event that the equipment has to be stored, shipped or returned for service.

4 If you choose to dispose of the packaging please do so in an environmentally friendly fashion. *We like our planet and want it to last a long time.* 😊

Conventions in this manual.

Throughout this manual we use notes in the page border to highlight points made in the main body of the text. These notes are marked with one of the following graphics:

Warning: Anything preceded by this icon is an important warning. You must read these and please take note of our advice.

Hints and Tips: Following this icon you will find what we consider to be useful advice based on our extensive experience. Take it or leave it – it's up to you.

Info: This icon signals information related to the main text that we thought we'd share with you. Hopefully you will find it of interest.



Introduction

Thank you from everyone here at Amulet Hotkey for purchasing the AHK3000-D Keyboard. A great deal of time and energy has gone into making this the best and most reliable Keyboard available.

With over 16 years experience working around the world in a variety of installations we are confident that we have provided a 'state of the art' unit which will provide you with long and reliable service regardless of the application.

To get the best from this product please take time to study this manual carefully even if you are familiar with other Amulet Hotkey products.

Index

Section	Subject	Page
1.0	Overview	4
1.1	Control & status LEDs	5
1.2	DIP switch settings	6
2.0	Connecting the AHK3000-D	7
2.1	Connecting to a KMD3	7
2.2	Connecting to a D3K6	8
2.3	Connecting to a DXR2	9
2.4	Connecting to a DXR2 & K4u	10
3.0	Trouble Shooting	11
4.0	Technical Specifications	12
4.1	Technical Support	12
4.2	What's in the box	12

1

AHK3000-D Keyboard

1.0 Overview

The AHK3000-D is a keyboard designed specifically for use in the modern trading room environment, it is configured as “Spot Matching” with combined ‘Conversational’ keys. It provides the trader with a logically laid out keyboard solution for all major services using application specific keys.

In addition to the familiar 104/105 key layout, major market-data service keys are provided as standard with dedicated selection keys for common services.

A programming application is also available for the AHK3000-D which can be used to record user definable macros for many of the keys. Macros can be up to 64 keystrokes in length.



The AHK 3000-D must be connected to a device such as the Amulet Hotkey DXR2, KMD3 or D3K6 to work. This is mainly because each of these devices supplies the necessary power to the keyboard.

1.1 Control & Status LEDs

- A - The AHK3000-D is fitted with two status LEDs. The upper of these LEDs is the Alert LED. The lower is the Sharing LED
- B - Channel selection keys
- C - Alert level control
- D - Audio output connector
- E - Audio level control



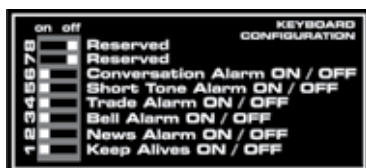
- Alert LED. The Alert LED will flash when a trading alert occurs. This feature is provided to give a visual indication of an alert in the event that the volume for the audible alert has been turned down.
- Sharing LED. The sharing LED is provided to indicate that the keyboard is accessing a keystation or computer that is already being used by another operative. This is only possible if the keyboard is being used with an appropriate KVM switch or sharer. The LED will illuminate green if access to a shared device is granted, red if access is blocked by another user and orange if the shared device is available for use.
- Channel Select keys. These keys are used when the keyboard is attached to an appropriate KVM switch such as the D3K6, KMD3 or DXR2 / K4u combination. They are used to directly select a local service / computer and in doing so, switch the keyboard focus away from the dealing keystation. To switch back to the keystation, the user can press either the channel select key labelled 'D3000' or one of the following keys: Contact, Accept, I Buy, I Sell, Bid, Offer, Yours, Mine, Cancel All/Cancel Orders.
- Alert Level Control. This control is found on the rear panel of the keyboard and is used to set the level of the audible alerts.
- Audio Connector. A standard 3.5mm stereo jack socket to which headphones or externally powered speakers can be attached.
- Audio Level Control. This control is found on the rear panel of the keyboard and is used to set the level of the stereo audio output and the internal speakers.



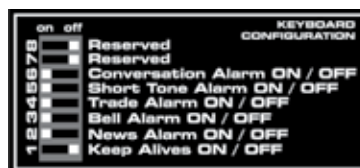
Note that there are two versions of the AHK3000-D firmware one of which is optimised to work with the Amulet Hotkey D3K6 and the other with the DXR2 / K4u combination. The Channel Select keys work differently with each version.

1.2 DIP Switch Settings

A single set of 8 DIP switches is fitted to the underside of the keyboard. The function of these is described on the DIP switch label and, for convenience, is copied here. The switches are shown in the default configurations.



Keyboard



Keyboard & Keypad



The majority of these DIP switches are used to determine which of the standard trading alerts will sound. As already mentioned, the volume of these alerts is set using the rear panel rotary control .

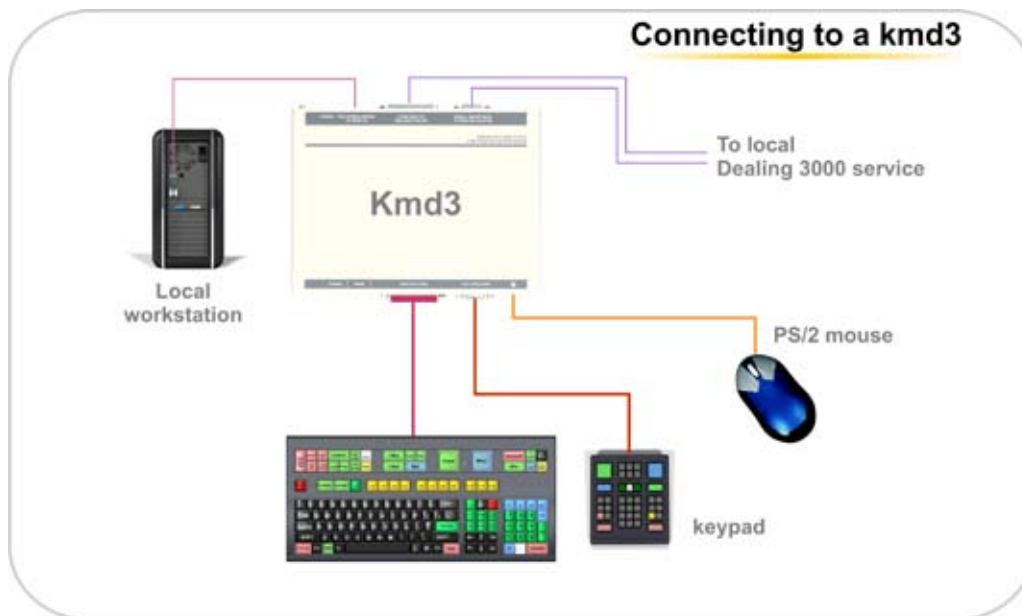
2

2.0 Connecting the AHK3000-D

There are a limited number of devices to which the AHK3000-D can be connected. Each of these supplies power to the keyboard and handles any data generated by key presses or mouse movement. Some devices support the connection of additional computers, others allow the keyboard to be located remotely from the keystation.

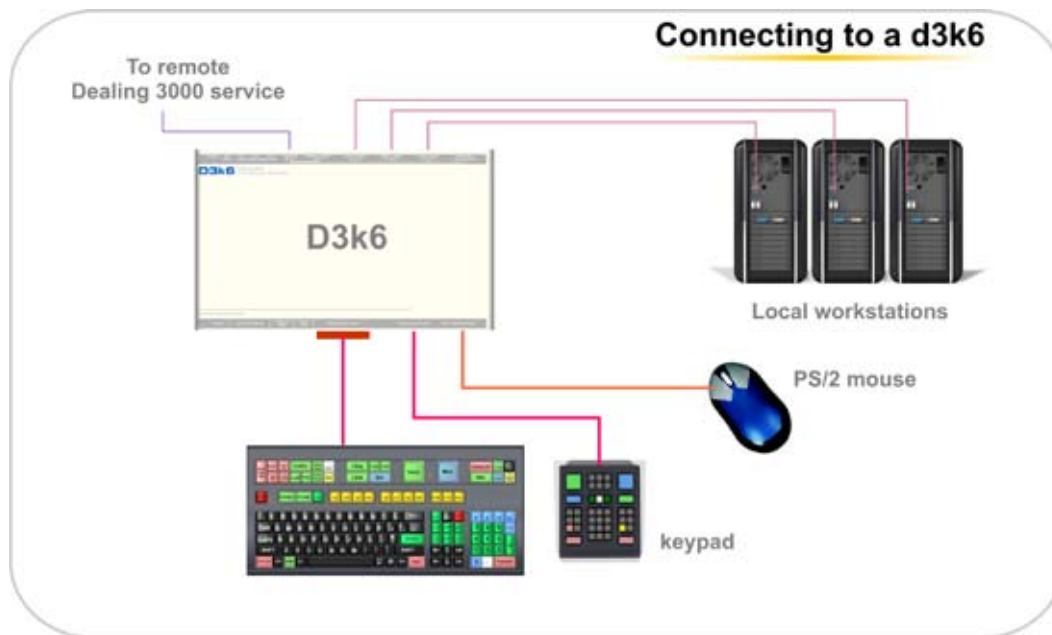
2.1 Connecting to a KMD3.

The Amulet Hotkey KMD3 is used in many sites around the world. This diagram shows how to connect the AHK 3000-D to the device.



2.2 Connecting to a D3K6

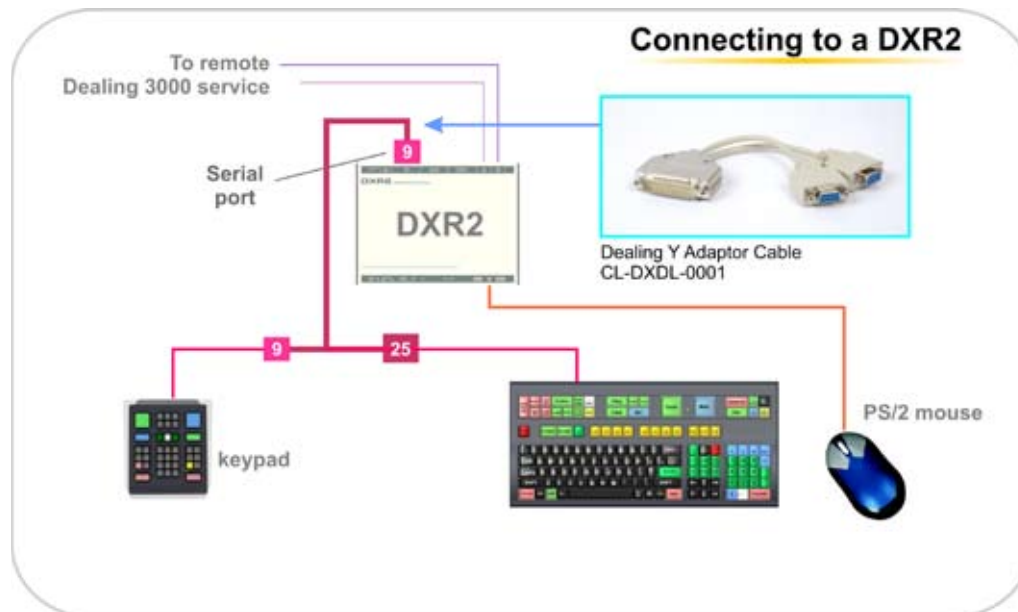
The Amulet Hotkey D3K6 went out of production in Q2 of 2006 but examples are still in use around the world on many sites. Note that the D3K6 also acts as a kvm switch allowing access to local computers. No special cables are required.



*In order for the Channel Selection switches described on page 6 of this manual to operate correctly with the setup shown in the diagram to the left, the keyboard must **NOT** have 'Change Note' number 210 applied. You can check the label on the underside of the keyboard to verify this. You will see a section entitled 'CN'. If the number 210 appears in this section the channel select keys will **NOT** work correctly. If CN 210 has been applied you can easily upgrade the firmware in the keyboard. Contact Amulet Hotkey technical support for assistance.*

2.3 Connecting to a DXR2.

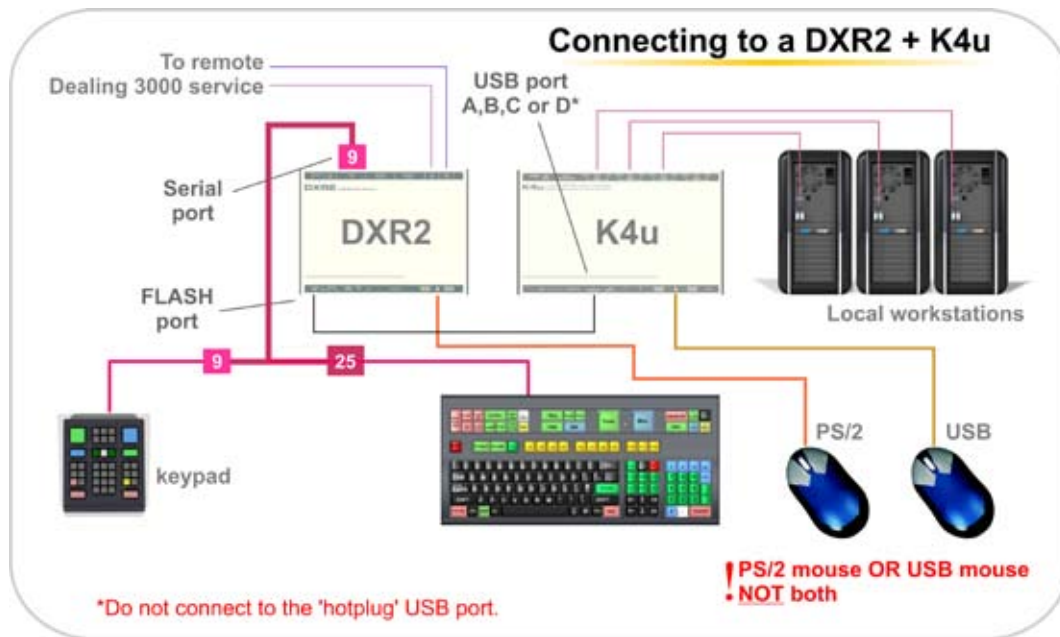
The Amulet Hotkey DXR2 is the latest desktop receiver for the DX series of analogue kvm extenders. It allows the AHK3000-D keyboard to be located remotely from the keystation. When used in this configuration, DIP switch 8 on the underside of the DXR2 must be set to the Dealing mode. Note that an adaptor cable is required to connect the keyboard to the DXR2.



2.4 Connecting to a DXR2 and K4u.

This setup allows the AHK3000-D to be connected to a remote keystation using the DXR2 as described on the previous page but also provides access to additional computers located at the desk. These can be used to provide common services such as EBS, Bloomberg and so on. Special cables are required to link the Keyboard (and key pad) to the DXR2 as shown on the previous page and also to connect the DXR2 'FLASH port' to the K4u (part number: CL-USBM-0002 shown in black below).

When used in this way, the Channel Select switches described on page 6 of this manual can be used to directly select 3 of the four channels on the K4u.



In order for the Channel Selection switches described on page 6 of this manual to operate correctly with the setup shown in the diagram to the left, the keyboard must have 'Change Note' number 210 applied. You can check the label on the underside of the keyboard to verify this. If the number 210 appears in this section the channel select keys will work correctly. If CN 210 has NOT been applied you can easily upgrade the firmware in the keyboard. Contact Amulet Hotkey technical support for assistance.



3.0 Trouble Shooting

Although the AHK3000-D is a sophisticated keyboard with many unique features, it is remarkably robust, simple to use and easy to install. Providing you follow the guidelines and connection instructions in this manual the system should operate without error.

If anything appears to be wrong check all connections referring to the diagrams supplied. Ensure all DIP switches are set appropriately on both the Keyboard AND the device to which it is connected. Check that all components are powered and that the computer(s) in use are also running.

If the Channel Select keys described on page 6 of this manual do not operate as you would expect them to double check that the keyboard has the appropriate Change Note applied to the firmware as detailed in this manual.

Finally, if you are unable to hear audio output from the keyboard or dealing alerts, check that the level controls on the keyboard rear panel are adjusted correctly.



4.0 Technical Specifications

AHK3000-D Keyboard

Dimensions	550 x 220 x 50mm (W x D x H)
Weight	2.5kg
Power consumption	Nominally 4.5W / 15.4 BTu/h

4.1 Technical Support

<p>UK: +44 (0)20 7407 2522 eurosupport@amulethotkey.com Suites 27 - 29 The Hop Exchange Southwark Street London SE1 1TY</p>	<p>US: +1 212 269 9300 ussupport@amulethotkey.com 11 Hanover Square 19th Floor New York, NY 10005 USA</p>
---	---

Asia Pacific: apsupport@amulethotkey.com

4.2 What's in the box (All kits contain HB-KB02-0004 - AHK3000D Quick Start guide)

- | | | |
|---------------------|--|------------------------|
| KT-KB02-0005 | UK Black Kit - Configured for use with d3k6 | (CN210 Removed) |
| CA-KB02-0005 | Keyboard Complete Assembly UK Black incl. Captive Cable | |
| KT-KB02-0006 | US Black Kit - Configured for use with d3k6 | (CN210 Removed) |
| CA-KB02-0006 | Keyboard Complete Assembly US Black incl. Captive Cable | |
| KT-KB02-0007 | UK Black Kit - Configured for use with DXR2 / K4u | (CN210 Applied) |
| CA-KB02-0007 | Keyboard Complete Assembly UK Black incl. Captive Cable | |
| KT-KB02-0008 | US Black Kit - Configured for use with d3k6 | (CN210 Applied) |
| CA-KB02-0006 | Keyboard Complete Assembly US Black incl. Captive Cable | |
| KT-KB02-0005 | US Bar Cap Spot Matching Kit | (CN189 Applied) |
| CA-KB02-0006 | Keyboard Complete Assembly US Black incl. Captive Cable | |



This is a class A product. In a domestic environment this product may cause radio interference in which case the user may be required to take adequate measures.